


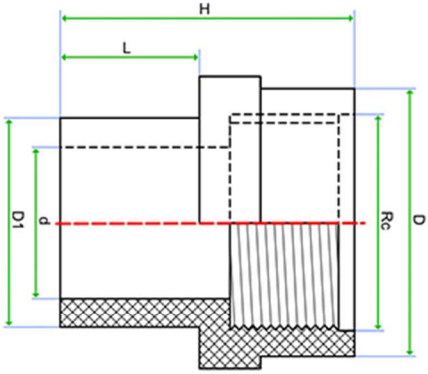


FICHA TÉCNICA / DATA SHEET
MANGUITO UNIÓN MIXTO ENCOLADO EXT. / FEMALE ADAPTER EXTERNAL SOLVENT SOCKET

Revisión: 0

Fecha: JUNIO-2019

Página 1 de 1

CODIGO	MARCA	DENOMINACION	KG	UDS/CAJA	PN	TUBO Ø	DN	D	d	L	H	Rc	D1
  <p>Material: PVC-U Rosca: BSPT</p>													
7306020		MANGUITO UNION MIXTO ENCOLADO EXT. PVC-U Ø 20-1/2"	0.022	550	16	20-1/2"	15	28.5	11.8	16.5	37.6	1/2"	20
7306025		MANGUITO UNION MIXTO ENCOLADO EXT. PVC-U Ø 25-3/4"	0.025	380	16	25-3/4"	20	34	16.3	19.5	42.4	3/4"	20
7306026		MANGUITO UNION MIXTO ENCOLADO EXT. PVC-U Ø 25-1/2"	0.028	480	16	25-1/2"	20	28.5	16.3	19.5	40.6	1/2"	25
7306027		MANGUITO UNION MIXTO ENCOLADO EXT. PVC-U Ø 20-3/4"	0.022	420	16	20-3/4"	15	34	11.8	16.5	39.4	3/4"	25
7306028		MANGUITO UNION MIXTO ENCOLADO EXT. PVC-U Ø 25-1"	0.025	324	16	25-1"	20	42.3	16.3	19.5	46.5	1"	25
7306033		MANGUITO UNION MIXTO ENCOLADO EXT. PVC-U Ø 32-3/4"	0.065	320	16	32-3/4"	25	34	22	22.5	42	3/4"	32
7306038		MANGUITO UNION MIXTO ENCOLADO EXT. PVC-U Ø 32-1"	0.043	200	16	32-1"	25	42.3	22	22.5	49.5	1"	32
7306040		MANGUITO UNION MIXTO ENCOLADO EXT. PVC-U Ø 40-1 1/4"	0.064	140	16	40-1 1/4"	32	51.4	29	26.5	56	1 1/4"	40
7306046		MANGUITO UNION MIXTO ENCOLADO EXT. PVC-U Ø 40-1 1/2"	0.066	120	16	40-1 1/2"	32	62.5	29	26.5	56	1 1/2"	40
7306048		MANGUITO UNION MIXTO ENCOLADO EXT. PVC-U Ø 40-1"	0.064	216	16	40-1"	32	42.3	29	26.5	52	1"	40
7306050		MANGUITO UNION MIXTO ENCOLADO EXT. PVC-U Ø 50-1 1/2"	0.131	84	16	50-1 1/2"	40	62.5	37.9	31.5	61	1 1/2"	50
7306056		MANGUITO UNION MIXTO ENCOLADO EXT. PVC-U Ø 50-1 1/4"	0.135	105	16	50-1 1/4"	40	51.4	37.9	31.5	57.5	1 1/4"	50
7306057		MANGUITO UNION MIXTO ENCOLADO EXT. PVC-U Ø 50-2"	0.130	88	16	50-2"	40	77.4	37.9	31.5	66	2"	50
7306063		MANGUITO UNION MIXTO ENCOLADO EXT. PVC-U Ø 63-2"	0.181	54	16	63-2"	50	77.4	49	38.5	73	2"	63
7306066		MANGUITO UNION MIXTO ENCOLADO EXT. PVC-U Ø 63-1 1/2"	0.185	72	16	63-1 1/2"	50	62.5	49	38.5	68	1 1/2"	63