


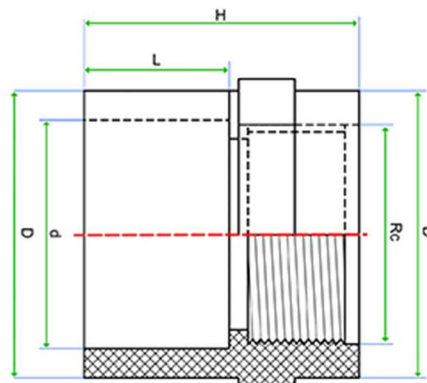


FICHA TÉCNICA / DATA SHEET
MANGUITO UNIÓN MIXTO / FEMALE ADAPTER SOLVENT SOCKET/FEMALE THREAD

Revisión: 0

Fecha: JUNIO-2019

Página 1 de 1

CODIGO	MARCA	DENOMINACION	KG	UDS/CAJA	PN	TUBO Ø	DN	D	d	L	H	Rc
  <p>Material: PVC-U Rosca: BSPT</p>												
7305020		MANGUITO UNION MIXTO PVC-U Ø 20-1/2"	0.022	450	16	20-1/2"	15	28.6	20	16.5	35.5	1/2"
7305025		MANGUITO UNION MIXTO PVC-U Ø 25-3/4"	0.025	300	16	25-3/4"	20	34	25	19.5	40	3/4"
7305032		MANGUITO UNION MIXTO PVC-U Ø 32-1"	0.042	216	16	32-1"	25	42.3	32	22.5	46.6	1"
7305040		MANGUITO UNION MIXTO PVC-U Ø 40-1 1/4"	0.064	133	16	40-1 1/4"	32	51.4	40	26.5	54.5	1 1/4"
7305050		MANGUITO UNION MIXTO PVC-U Ø 50-1 1/2"	0.130	72	16	50 1 1/2"	40	62.5	50	31.5	59.5	1 1/2"
7305063		MANGUITO UNION MIXTO PVC-U Ø 63-2"	0.182	105	16	63-2"	50	77.4	63	38.5	71.5	2"
7305075		MANGUITO UNION MIXTO PVC-U Ø 75-2 1/2"	0.281	75	16	75-2 1/2"	65	91.3	75	44.5	80.5	2 1/2"
7305090		MANGUITO UNION MIXTO PVC-U Ø 90-3"	0.467	22	16	90-3"	80	109.8	90	51.5	90.5	3"
7305110		MANGUITO UNION MIXTO PVC-U Ø 110-4"	0.677	24	16	110-4"	100	133	110	61.5	107	4"