


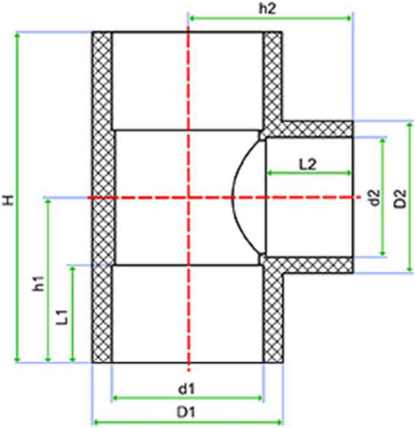


FICHA TÉCNICA / DATA SHEET
TE 90° REDUCIDA LISA / REDUCING TEE 90° SOLVENT SOCKET

Revisión: 0

Fecha: JUNIO-2019

Página 1 de 2

| CODIGO | MARCA | DENOMINACION | KG | UDS/CAJA | PN | TUBO Ø | DN | H | d1 | d2 | D1 | D2 | h1 | h2 | L1 | L2 | |
|--|-------|------------------------------------|-------|----------|----|--------|-------|-----|----|----|------|------|------|------|------|------|--|
|   <p>Material: PVC-U</p> | | | | | | | | | | | | | | | | | |
| 7104026 | CH | TE 90° REDUCIDA LISA PVC-U Ø 25-20 | 0.044 | 180 | 16 | 25-20 | 20-15 | 62 | 25 | 20 | 33 | 27 | 31 | 30.5 | 19.5 | 16.5 | |
| 7104032 | CH | TE 90° REDUCIDA LISA PVC-U Ø 32-20 | 0.067 | 138 | 16 | 32-20 | 25-15 | 68 | 32 | 20 | 41.3 | 27 | 34 | 34 | 22.5 | 16.5 | |
| 7104033 | CH | TE 90° REDUCIDA LISA PVC-U Ø 32-25 | 0.072 | 101 | 16 | 32-25 | 25-20 | 73 | 32 | 25 | 41.3 | 33 | 36.5 | 37 | 22.5 | 19.5 | |
| 7104040 | CH | TE 90° REDUCIDA LISA PVC-U Ø 40-20 | 0.134 | 196 | 16 | 40-20 | 32-15 | 76 | 40 | 20 | 50.4 | 27 | 38 | 38 | 26.5 | 16.5 | |
| 7104041 | CH | TE 90° REDUCIDA LISA PVC-U Ø 40-25 | 0.135 | 168 | 16 | 40-25 | 32-20 | 81 | 40 | 25 | 50.4 | 33 | 40.5 | 40.5 | 26.5 | 19.5 | |
| 7104042 | CH | TE 90° REDUCIDA LISA PVC-U Ø 40-32 | 0.141 | 147 | 16 | 40-32 | 32-25 | 89 | 40 | 32 | 50.4 | 41.3 | 44.5 | 43.5 | 26.5 | 22.5 | |
| 7104050 | CH | TE 90° REDUCIDA LISA PVC-U Ø 50-20 | 0.248 | 48 | 16 | 50-20 | 40-15 | 87 | 50 | 20 | 61 | 27 | 43.5 | 42.5 | 31.5 | 16.5 | |
| 7104051 | CH | TE 90° REDUCIDA LISA PVC-U Ø 50-25 | 0.256 | 46 | 16 | 50-25 | 40-20 | 92 | 50 | 25 | 61 | 33 | 46 | 45.5 | 31.5 | 19.5 | |
| 7104052 | CH | TE 90° REDUCIDA LISA PVC-U Ø 50-32 | 0.260 | 42 | 16 | 50-32 | 40-25 | 99 | 50 | 32 | 61 | 41.3 | 49.5 | 48.5 | 31.5 | 22.5 | |
| 7104053 | CH | TE 90° REDUCIDA LISA PVC-U Ø 50-40 | 0.264 | 50 | 16 | 50-40 | 40-32 | 107 | 50 | 40 | 61 | 50.4 | 53.5 | 52.5 | 31.5 | 26.5 | |
| 7104062 | CH | TE 90° REDUCIDA LISA PVC-U Ø 63-25 | 0.372 | 70 | 16 | 63-25 | 50-20 | 107 | 63 | 25 | 75.9 | 33 | 53.5 | 52 | 38.5 | 19.5 | |
| 7104063 | CH | TE 90° REDUCIDA LISA PVC-U Ø 63-32 | 0.362 | 66 | 16 | 63-32 | 50-25 | 114 | 63 | 32 | 75.9 | 41.3 | 57 | 55 | 38.5 | 22.5 | |


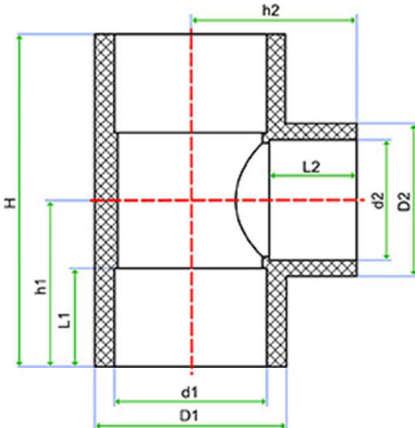


FICHA TÉCNICA / DATA SHEET
TE 90° REDUCIDA LISA / REDUCING TEE 90° SOLVENT SOCKET

Revisión: 0

Fecha: JUNIO-2019

Página 2 de 2

| CODIGO | MARCA | DENOMINACION | KG | UDS/CAJA | PN | TUBO Ø | DN | H | d1 | d2 | D1 | D2 | h1 | h2 | L1 | L2 |
|--|-------|--------------------------------------|-------|----------|----|---------|---------|-----|-----|-----|-------|-------|-------|------|------|------|
|   <p>Material: PVC-U</p> | | | | | | | | | | | | | | | | |
| 7104064 | CH | TE 90° REDUCIDA LISA PVC-U Ø 63-40 | 0.365 | 46 | 16 | 63-40 | 50-32 | 122 | 63 | 40 | 75.9 | 50.4 | 61 | 59 | 38.5 | 26.5 |
| 7104065 | CH | TE 90° REDUCIDA LISA PVC-U Ø 63-50 | 0.382 | 44 | 16 | 63-50 | 50-40 | 132 | 63 | 50 | 75.9 | 61 | 66 | 64 | 38.5 | 31.5 |
| 7104073 | CH | TE 90° REDUCIDA LISA PVC-U Ø 75-40 | 0.660 | 32 | 16 | 75-40 | 65-32 | 134 | 75 | 40 | 89.8 | 50.4 | 67 | 65 | 44.5 | 26.5 |
| 7104074 | CH | TE 90° REDUCIDA LISA PVC-U Ø 75-50 | 0.675 | 28 | 16 | 75-50 | 65-40 | 144 | 75 | 50 | 89.8 | 61 | 72 | 70 | 44.5 | 31.5 |
| 7104075 | CH | TE 90° REDUCIDA LISA PVC-U Ø 75-63 | 0.556 | 23 | 16 | 75-63 | 65-50 | 157 | 75 | 63 | 89.8 | 75.9 | 78.5 | 77 | 44.5 | 38.5 |
| 7104087 | CH | TE 90° REDUCIDA LISA PVC-U Ø 90-40 | 1.167 | 21 | 16 | 90-40 | 80-32 | 148 | 90 | 40 | 107.8 | 50.4 | 74 | 72.5 | 51.5 | 26.5 |
| 7104089 | CH | TE 90° REDUCIDA LISA PVC-U Ø 90-63 | 1.158 | 10 | 16 | 90-63 | 80-50 | 171 | 90 | 63 | 107.8 | 75.9 | 85.5 | 84.5 | 51.5 | 38.5 |
| 7104090 | CH | TE 90° REDUCIDA LISA PVC-U Ø 90-75 | 1.203 | 9 | 16 | 90-75 | 80-65 | 183 | 90 | 75 | 107.8 | 89.8 | 91.5 | 90.5 | 51.5 | 44.5 |
| 7104108 | CH | TE 90° REDUCIDA LISA PVC-U Ø 110-63 | 1.720 | 7 | 16 | 110-63 | 100-50 | 191 | 110 | 63 | 131 | 75.9 | 95.5 | 95 | 61.5 | 38.5 |
| 7104109 | CH | TE 90° REDUCIDA LISA PVC-U Ø 110-75 | 1.738 | 6 | 16 | 110-75 | 100-65 | 203 | 110 | 75 | 131 | 89.8 | 101.5 | 101 | 61.5 | 44.5 |
| 7104110 | CH | TE 90° REDUCIDA LISA PVC-U Ø 110-90 | 1.830 | 10 | 16 | 110-90 | 100-80 | 218 | 110 | 90 | 131 | 107.8 | 109 | 108 | 61.5 | 51.5 |
| 7104158 | CH | TE 90° REDUCIDA LISA PVC-U Ø 160-110 | 3.369 | 4 | 16 | 160-110 | 150-100 | 288 | 160 | 110 | 188 | 131 | 144 | 143 | 86.5 | 61.5 |