




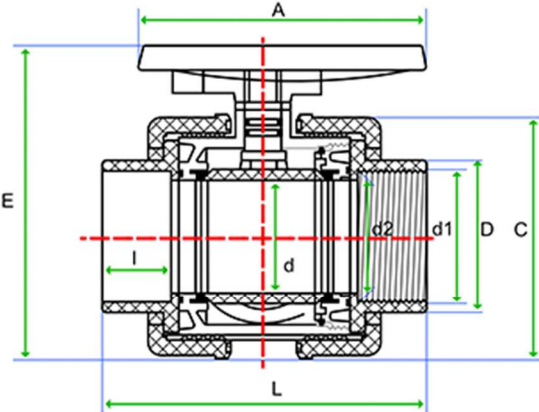
FICHA TÉCNICA / DATA SHEET

VÁLVULA BOLA CR MIXTA FPM / BALL VALVE CR SOLVENT SOCKET/FEMALE THREAD FPM

Revisión: 0

Fecha: JUNIO-2019

Página 1 de 1

CODIGO	MARCA	DENOMINACION	Kg	UND/CAJA	PN	TUBO Ø	DN	D	d	L	C	E	A	I	d1	d2	
 			<p>Cierre: HDPE Junta tórica: FPM Material: PVC-U Rosca: BSPT Maneta: ABS</p>														
1124020		VALVULA BOLA CR MIXTA FPM PVC-U Ø 20-1/2"	0.166	150	16	20-1/2"	15	28.8	15	83	56	79	67	16.1	20.3	1/2"	
1124025		VALVULA BOLA CR MIXTA FPM PVC-U Ø 25-3/4"	0.221	108	16	25-3/4"	20	35	20	94	60	90	78	18.5	25.3	3/4"	
1124032		VALVULA BOLA CR MIXTA FPM PVC-U Ø 32-1"	0.330	70	16	32-1"	25	43	25	107	69	103	87	21	32.3	1"	
1124040		VALVULA BOLA CR MIXTA FPM PVC-U Ø 40-1 1/4"	0.490	48	16	40-1 1/4"	32	52	30	122	80	122	102	26.5	40.3	1 1/4"	
1124050		VALVULA BOLA CR MIXTA FPM PVC-U Ø 50-1 1/2"	0.834	32	16	50-1 1/2"	40	62	38	146	95	139	120	31.3	50.3	1 1/2"	
1124063		VALVULA BOLA CR MIXTA FPM PVC-U Ø 63-2"	1.233	18	16	63-2"	50	75.5	48	171	116	166	146	38	63.3	2"	
1124075		VALVULA BOLA CR MIXTA FPM PVC-U Ø 75-2 1/2"	2.749	12	10	75-2 1/2"	65	88.5	59	210	139	190	178	41	75.3	2 1/2"	
1124090		VALVULA BOLA CR MIXTA FPM PVC-U Ø 90-3"	3.215	8	10	90-3"	80	106	72	246	170	235	210	51.5	90.3	3"	
1124110		VALVULA BOLA CR MIXTA FPM PVC-U Ø 110-4"	7.630	4	10	110-4"	100	131	96	283	210	277	250	61	110.4	4"	