




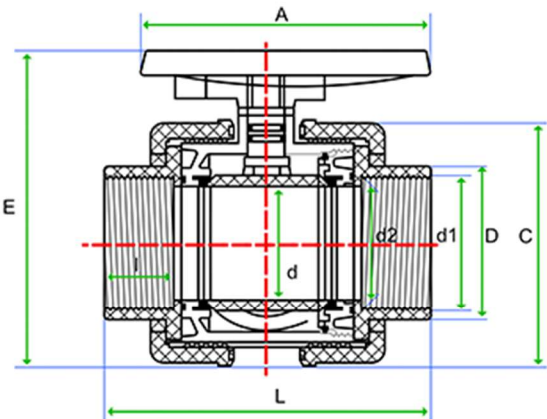









FICHA TÉCNICA / DATA SHEET

VÁLVULA BOLA CR ROSCA FPM / BALL VALVE CR FEMALE THREADED FPM

Revisión: 0

Fecha: JUNIO-2019

Página 1 de 1

CODIGO	MARCA	DENOMINACION	Kg	UND/CAJA	PN	TUBO Ø	DN	D	d	L	C	E	A	I	d1	d2	
																	
																	
1054020		VALVULA BOLA CR ROSCA FPM PVC-U 1/2"	0.166	150	16	1/2"	15	28.8	15	83	56	79	67	16.1	20.3	1/2"	
1054025		VALVULA BOLA CR ROSCA FPM PVC-U 3/4"	0.221	108	16	3/4"	20	35	20	94	60	90	78	18.5	25.3	3/4"	
1054032		VALVULA BOLA CR ROSCA FPM PVC-U 1"	0.330	70	16	1"	25	43	25	107	69	103	87	21	32.3	1"	
1054040		VALVULA BOLA CR ROSCA FPM PVC-U 1 1/4"	0.490	48	16	1 1/4"	32	52	30	122	80	122	102	26.5	40.3	1 1/4"	
1054050		VALVULA BOLA CR ROSCA FPM PVC-U 1 1/2"	0.834	32	16	1 1/2"	40	62	38	146	95	139	120	31.3	50.3	1 1/2"	
1054063		VALVULA BOLA CR ROSCA FPM PVC-U 2"	1.233	18	16	2"	50	75.5	48	171	116	166	146	38	63.3	2"	
1054075		VALVULA BOLA CR ROSCA FPM PVC-U 2 1/2"	2.749	12	10	2 1/2"	65	88.5	59	210	139	190	178	41	75.3	2 1/2"	
1054090		VALVULA BOLA CR ROSCA FPM PVC-U 3"	3.215	8	10	3"	80	106	72	246	170	235	210	51.5	90.3	3"	
1054110		VALVULA BOLA CR ROSCA FPM PVC-U 4"	7.630	4	10	4"	100	131	96	283	210	277	250	61	110.4	4"	

Cierre: **HDPE**
Junta tórica: **FPM**
Material: **PVC-U**
Rosca: **BSPT**
Maneta: **ABS**